

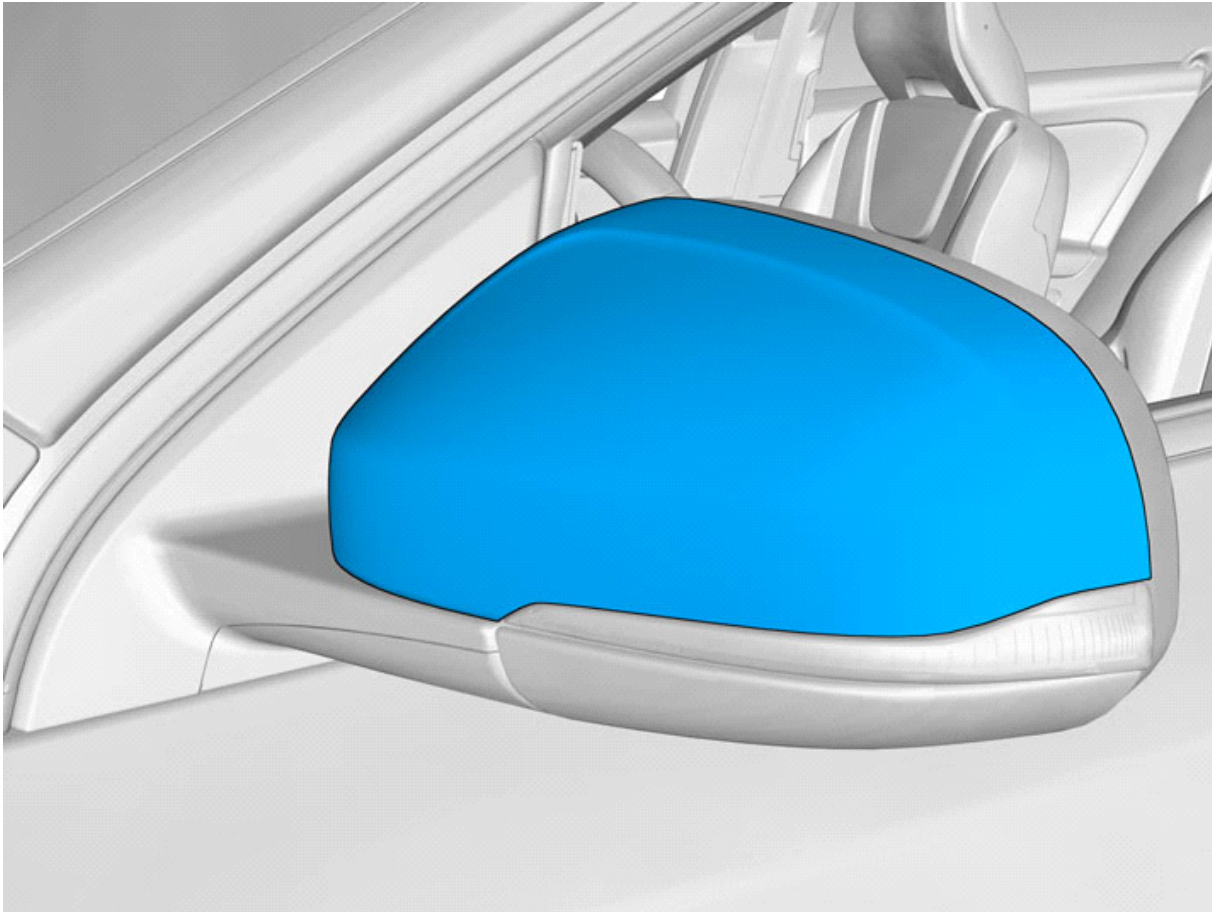


Installation instructions, accessories

Volvo Car Corporation Gothenburg, Sweden

Instruction No	Version	Part. No.
31370012	1.1	31339165, 31414192, 31428842, 31399362, 30756161, 31399361, 31454245

Mirrors, door, cover



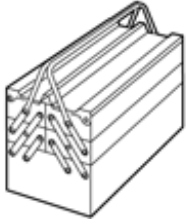
IMG-350365



Installation instructions, accessories

Volvo Car Corporation Gothenburg, Sweden

Equipment

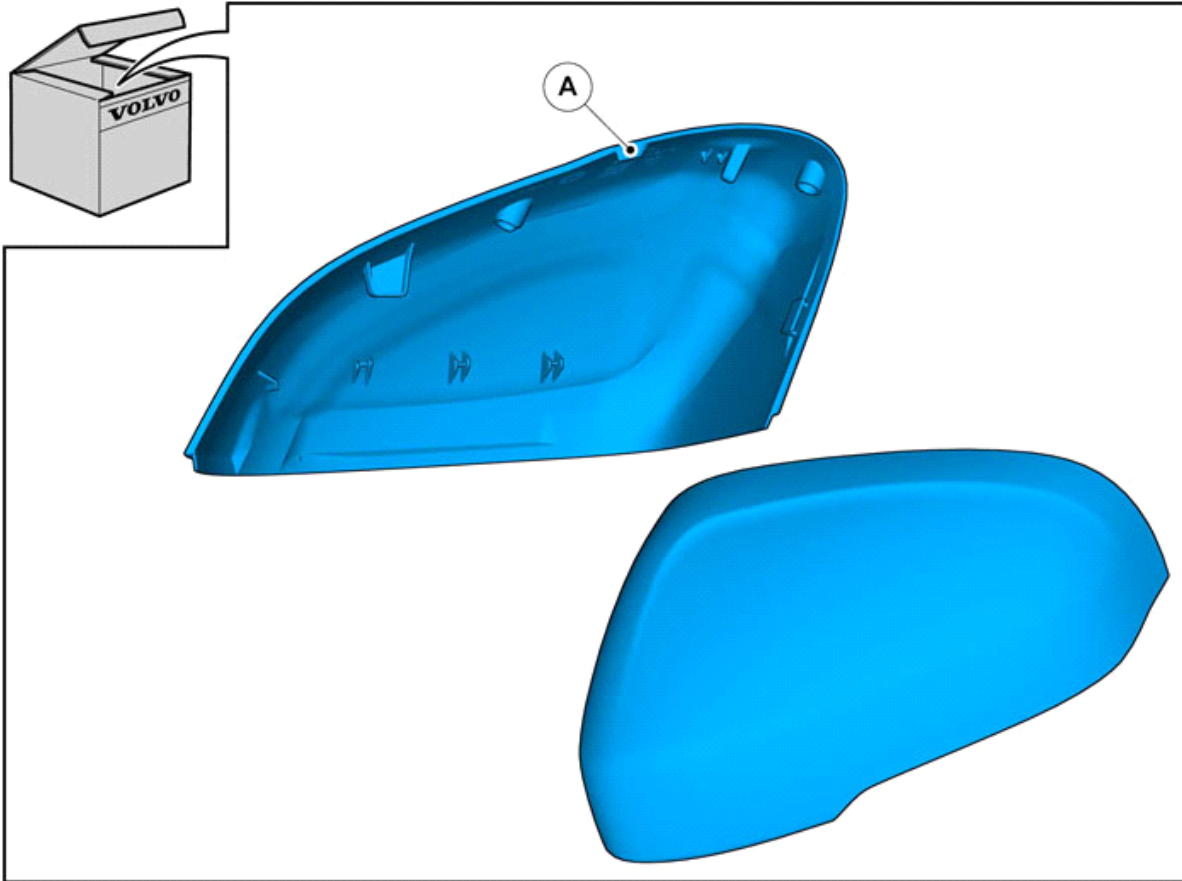


IMG-345497



IMG-338691

VOLVO
9997390



IMG-350366



Installation instructions, accessories

Volvo Car Corporation Gothenburg, Sweden

Information

1

Read through all of the instructions before starting installation.

Notifications and warning texts are for your safety and to minimise the risk of something breaking during installation.

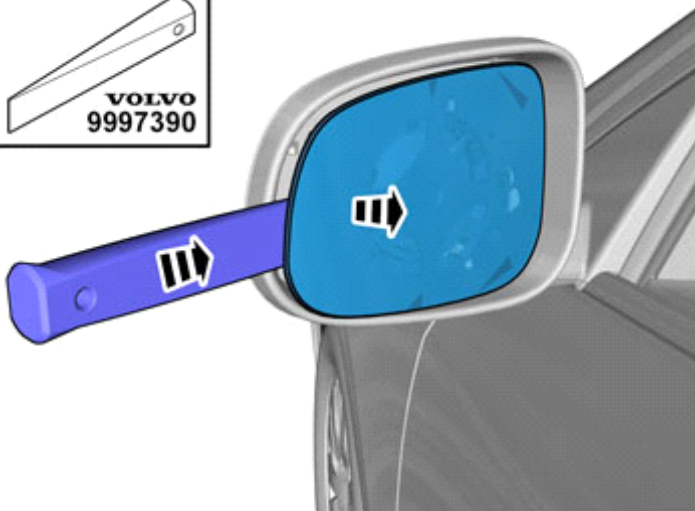
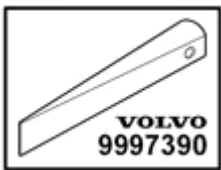
Ensure that all tools stated in the instructions are available before starting installation.

Certain steps in the instructions are only presented in the form of images. Explanatory text is also given for more complicated steps.

In the event of any problems with the instructions or the accessory, contact your local Volvo dealer.

Removal

2



IMG-350367

Caution!

Observe caution, the glass breaks easily.

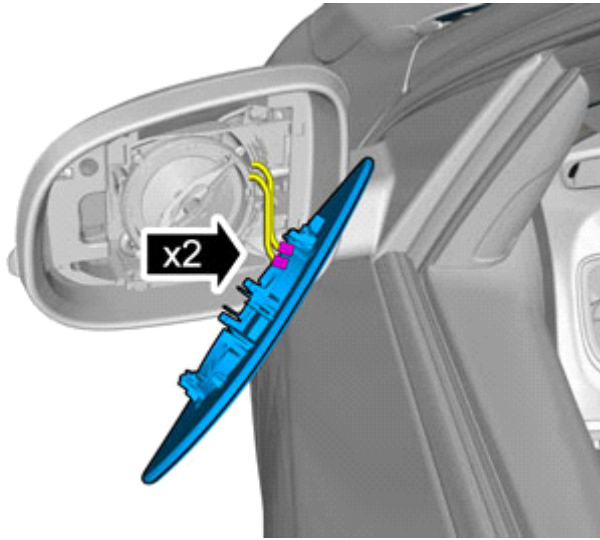
Remove the glass from the mirror.



Installation instructions, accessories

Volvo Car Corporation Gothenburg, Sweden

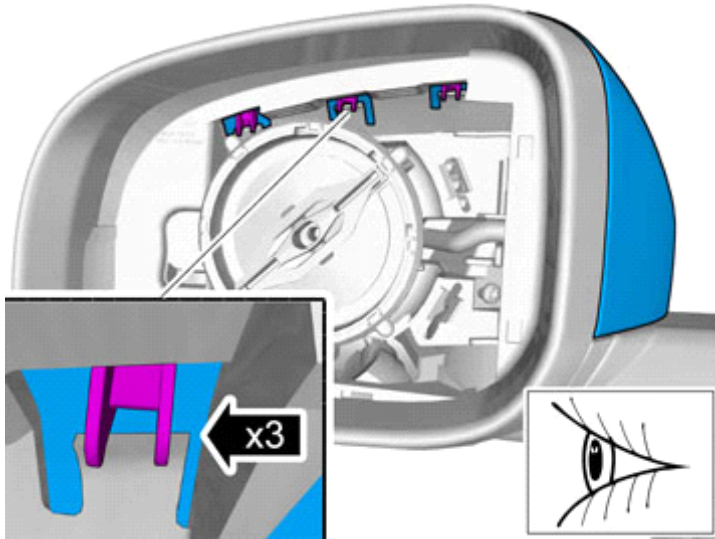
3



Disconnect the connectors.

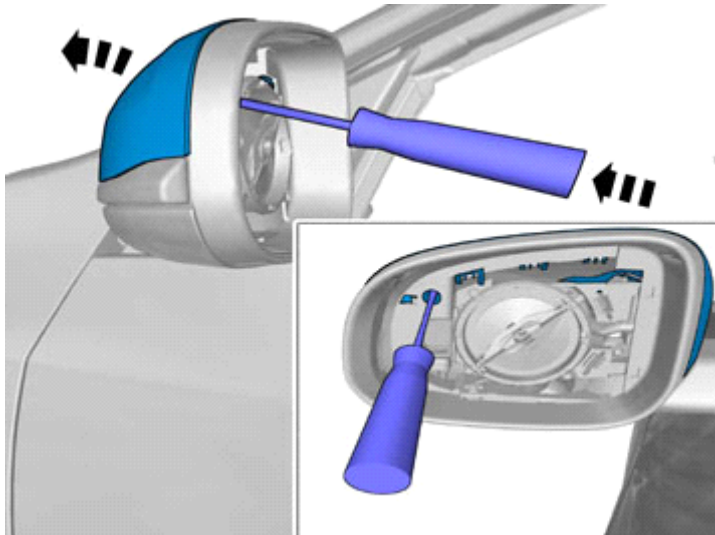
IMG-350369

4



IMG-350368

5



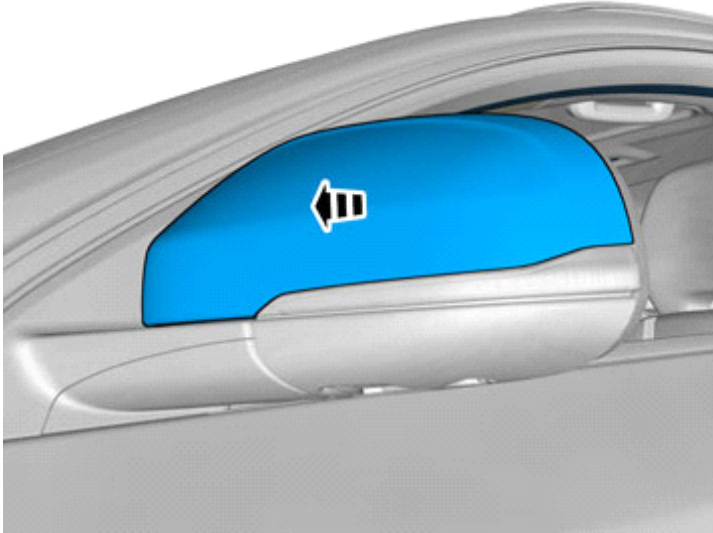
IMG-359036



Installation instructions, accessories

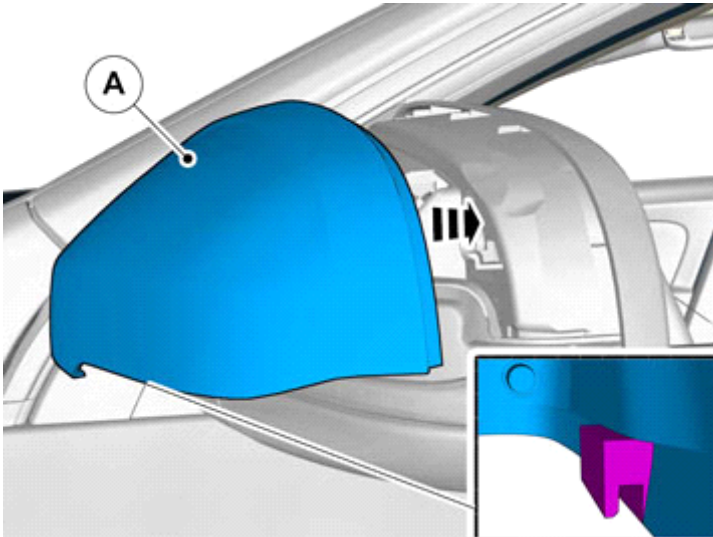
Volvo Car Corporation Gothenburg, Sweden

6



IMG-350370

7

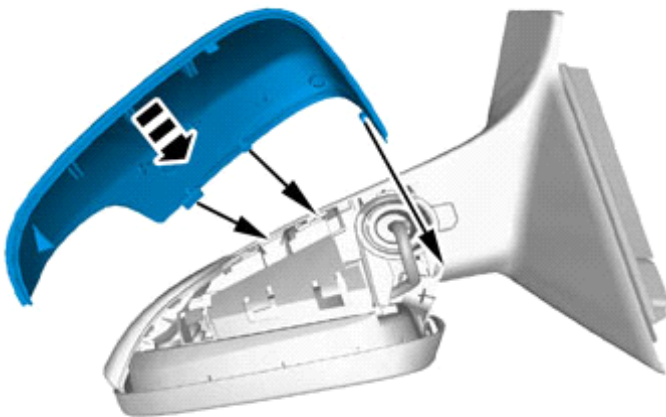


IMG-350371

Repeat all method steps for the other side.

Reinstall the removed parts in reverse order.

8



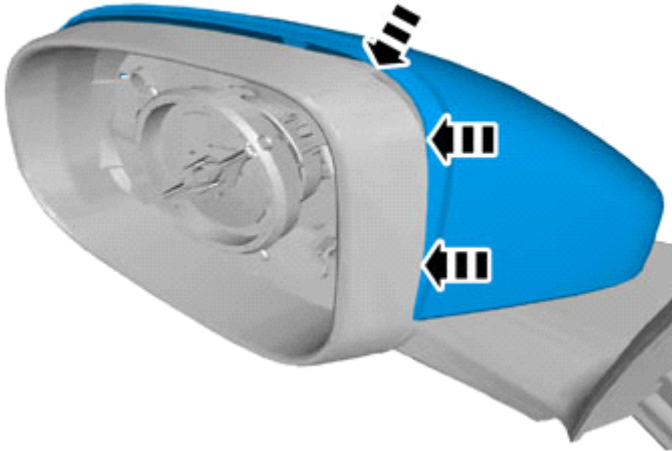
IMG-359046



Installation instructions, accessories

Volvo Car Corporation Gothenburg, Sweden

9



IMG-359048

10



IMG-359047